

Technical Bulletin

Bulletin Number: 352 Revision Number: R-02

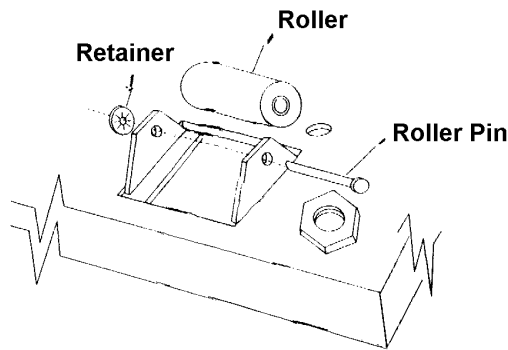
Release Date: April 6, 1988 Revision Date: December 7, 1998

SUBJECT: DOOR ROLLER MAIN DOOR

MODELS AFFECTED: All

Beginning Serial Number 0001-6000CO and higher:

<u>ORDER:</u>	1 - 901,806,20x.x1	Roller
	1 - 900,502,19x.x1	Roller Pin
	1 - 900,900,90x.x1	Retainer



Prior To 0001-6000CO:

<u>ORDER:</u>	1 - 901,806,20x.x1	Roller
	1 - 142,161,70x.x3	Assy., Door Lifter Bracket
	1 - 900,502,19x.x1	Roller Pin
	1 - 900,900,90x.x1	Retainer
	1 - 142,160,58x.x3	Spacer Bracket, Roller
	2 - 900,901,51x.x1	Phil Pan Screw #10-32x ⁵ / ₈

